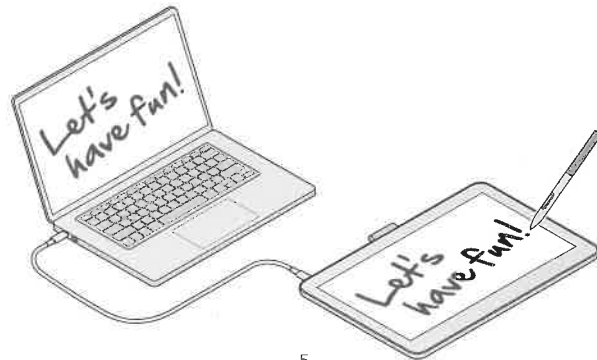
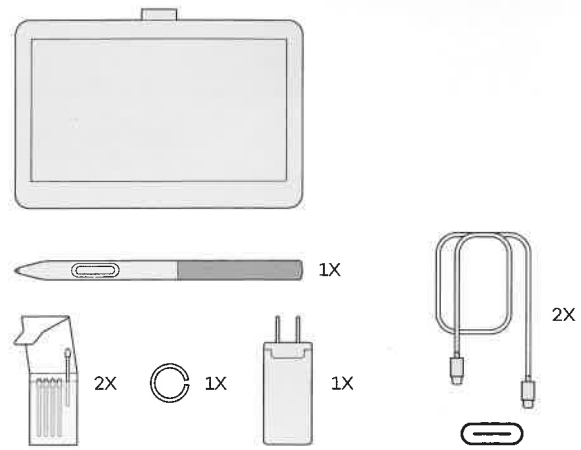
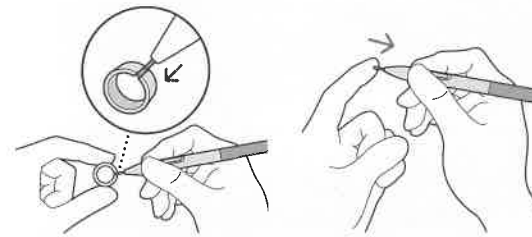
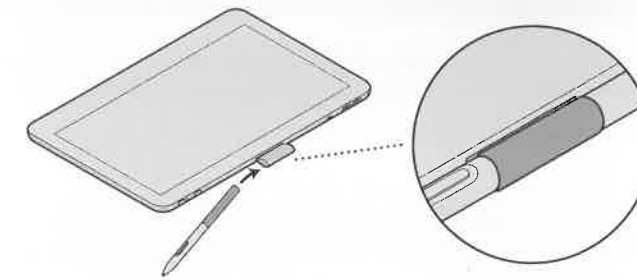


Wacom® One

Quick Start Guide



5



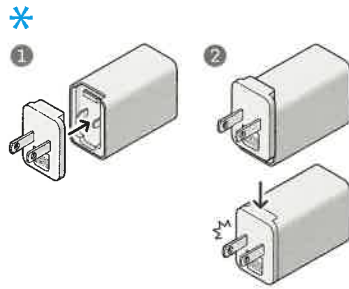
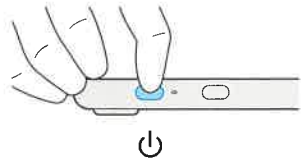
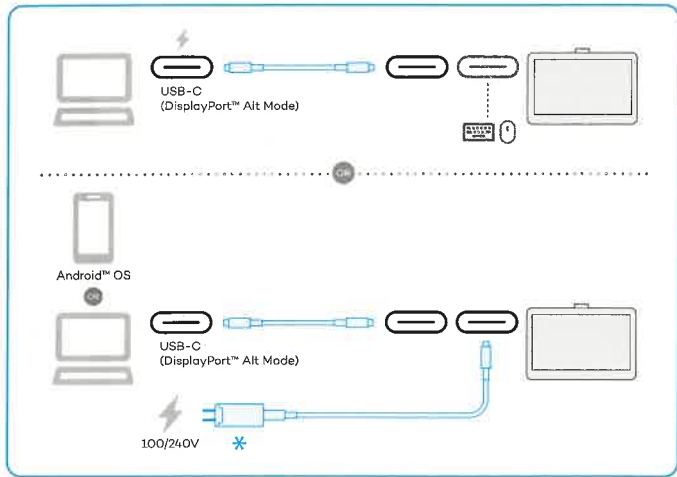
<http://Start.Wacom.One>

©2023 Wacom Co., Ltd. All rights reserved.
Wacom, Wacom One and its respective logos are trademarks and/or registered trademarks of Wacom Co., Ltd.
Microsoft and Windows are trademarks of the Microsoft group of companies.
macOS is trademark of Apple Inc.
Android and Chrome OS are trademarks of Google LLC.
USB-C is a trademark or registered trademark of USB Implementers Forum.
DisplayPort™ is a trademark owned by the Video Electronics Standards Association (VESA®) in the United States and other countries.

PRN-B284(B)



1



2

2

Windows OS

macOS

Android™ OS / Chrome OS™

3

3



4

WACOM® One

DTC121

EN:

Important Product Information – Limited Version

Warranty statement

Warranty: 1 year in USA, Canada, Central America, South America and the Caribbean.

LIMITED WARRANTY (U.S.A. AND CANADA)

Valid for and only applies to products purchased and used inside the United States and its territories and in Canada.

WHO MAY USE THIS WARRANTY?

Wacom extends this limited warranty to the original consumer purchaser only. It does not extend to any subsequent owner or other transferee of the product.

WHAT DOES THIS WARRANTY COVER?

This limited warranty covers defects in materials and workmanship of Wacom products, except for excluded products described below, for a period of one (1) year from the date of original retail purchase (the "Warranty Period"), as evidenced by a copy of the receipt and registration with Wacom within 30 days of purchase.

WHAT IS EXCLUDED FROM THIS WARRANTY?

Software and consumable items such as the battery, tablet surface sheet (if any), and nibs are excluded from this limited warranty. In addition, this limited warranty does not cover any damage due to: accident, abuse, misuse, negligence, or unauthorized modification or repair of the product, or if it has been handled or stored other than in accordance with Wacom's storage instructions.

WHAT ARE THE REMEDIES UNDER THIS WARRANTY?

Wacom's sole obligation and entire liability under this limited warranty shall be, at Wacom's option, either the repair or replacement of the defective product or parts thereof of which Wacom is notified during the Warranty Period; provided, however, that you are responsible for (i) the cost of transportation of the product to the designated service location, and (ii) any loss or damage to the product resulting from such transportation. Wacom will pay for return shipping by United Parcel Service or by an equivalent service as chosen by Wacom.

HOW CAN YOU OBTAIN WARRANTY SERVICES?

Upon discovery of a defect in a covered product within the Warranty Period, you should contact Wacom Technical Support via telephone or email to obtain an RMA (Return Merchandise Authorization) number and instructions for shipping the product to a service location designated by Wacom. To obtain warranty service within the U.S. or Canada contact:

Wacom Customer Care Center

Phone: 1-855-699-2266

Visit: <http://support.wacom.com/>

You should send the product, shipping charges prepaid, to the designated service location, accompanied by the RMA, your name, address and telephone number, proof of purchase date, and a description of the defect. The repair or replacement of the product may result in the loss of application or data. Whenever technically possible, you must take a copy of all application and data from the product before sending to Wacom.

DISCLAIMER: LIMITATION OF LIABILITY

Any descriptions, drawings, specifications, samples, models, bulletins, or similar material, used in connection with the sale of the product shall not be construed as an express warranty that the product will conform or comply with your requirements.

EXCEPT FOR THE LIMITED WARRANTY DESCRIBED ABOVE, THERE ARE NO OTHER WARRANTIES MADE BY WACOM ON ANY COVERED PRODUCT. NO ORAL OR WRITTEN INFORMATION OR ADVICE GIVEN BY WACOM, ITS DEALERS, DISTRIBUTORS, AGENTS, OR EMPLOYEES SHALL CREATE A WARRANTY OR IN ANY WAY INCREASE THE SCOPE OF THIS WARRANTY, AND YOU MAY NOT RELY ON ANY SUCH INFORMATION OR ADVICE. THIS WARRANTY GIVES YOU SPECIFIC LEGAL RIGHTS, AND YOU MAY ALSO HAVE OTHER RIGHTS WHICH VARY FROM STATE TO STATE, AND COUNTRY TO COUNTRY. WACOM LIMITS THE DURATION OF ANY LEGALLY IMPLIED WARRANTIES INCLUDING IMPLIED WARRANTIES OF MERCHANTABILITY OR FITNESS FOR A PARTICULAR PURPOSE, TO THE DURATION OF WACOM'S EXPRESS WARRANTY. SOME STATES AND COUNTRIES DO NOT ALLOW LIMITATIONS ON HOW LONG AN IMPLIED WARRANTY LASTS, SO THE ABOVE LIMITATION MAY NOT APPLY TO YOU. NEITHER WACOM NOR ANYONE ELSE WHO HAS BEEN INVOLVED IN THE CREATION, PRODUCTION, OR DELIVERY OF THIS PRODUCT SHALL BE LIABLE FOR ANY DIRECT, CONSEQUENTIAL, OR INCIDENTAL DAMAGES (INCLUDING DAMAGES FOR LOSS OF BUSINESS PROFITS, BUSINESS INTERRUPTION, LOSS OF BUSINESS INFORMATION AND THE LIKE) ARISING OUT OF THE USE OF OR INABILITY TO USE SUCH PRODUCT, EVEN IF WACOM HAS BEEN ADVISED OF THE POSSIBILITY OF SUCH DAMAGES. SOME STATES DO NOT ALLOW THE EXCLUSION OR LIMITATION OF DIRECT, INCIDENTAL OR CONSEQUENTIAL DAMAGES, SO THE ABOVE LIMITATION OR EXCLUSION MAY NOT APPLY TO YOU.

IN THE EVENT THAT ANY OF THE ABOVE LIMITATIONS ARE HELD UNENFORCEABLE, WACOM'S LIABILITY FOR ANY DAMAGES TO YOU OR ANY PARTY SHALL NOT EXCEED THE PURCHASE PRICE YOU PAID, REGARDLESS OF THE FORM OF ANY CLAIM. THIS LIMITED WARRANTY IS GOVERNED BY THE LAWS OF THE UNITED STATES OF AMERICA AND THE STATE OF OREGON. THIS LIMITED WARRANTY IS VALID FOR AND ONLY APPLIES TO PRODUCTS PURCHASED AND USED INSIDE THE UNITED STATES (AND ITS TERRITORIES OR POSSESSIONS) OR CANADA.

CONTACT US
Should you have any questions about this Limited Warranty, or if you desire to contact Wacom for any reason, please contact in writing:
Wacom Technology Corporation
1455 NW Irving Street Suite 800
Portland OR 97209
USA

LIMITED WARRANTY

(CENTRAL AMERICA, SOUTH AMERICA AND THE CARIBBEAN)

Valid for and only applies to products purchased and used inside Central America, South America and the Caribbean.

Wacom warrants the product, to the original consumer purchaser, except for the Software and consumable items such as the battery, table surface sheet (if any) and nibs, to be free from defects in materials and workmanship under normal use and service for a period of one (1) year, from the date of original retail purchase, as evidenced by a copy of the receipt and registration with Wacom within 30 days of purchase.

Upon discovery of a defect in the product, except in the Software and consumable items, within the Warranty Period, you should contact Wacom Technical Support via telephone, email, or fax to obtain an RMA (Return Merchandise Authorization) number and instructions for shipping the product to a service location designated by Wacom. You should send the product, shipping charges prepaid, to the designated service location, accompanied by the return authorization number, your name, address and telephone number, proof of purchase date, and a description of the defect. Wacom will pay for return shipping by United Parcel Service or by an equivalent service as chosen by Wacom.

The repair or replacement of the product may result in the loss of application or data. Whenever technically possible, you must take a copy of all application and data from the product before sending to Wacom. Wacom's sole obligation and entire liability under this warranty shall be, at Wacom's option, either the repair or replacement of the defective product or parts thereof of which Wacom is notified during the Warranty Period; provided, however, that you are responsible for (i) the cost of transportation of the product to the designated service location and (ii) any loss or damage to the product resulting from such transportation. Wacom shall have no responsibility to repair or replace the product if the failure of the product has resulted from accident, abuse, misuse, negligence, or unauthorized modification or repair, or if it has been handled or stored other than in accordance with Wacom's storage instructions.

Any descriptions, drawings, specifications, samples, models, bulletins, or similar material, used in connection with the sale of the product, shall not be construed as an express warranty that the product will conform or comply with your requirements.

EXCEPT FOR THE LIMITED WARRANTY DESCRIBED ABOVE, THERE ARE NO OTHER WARRANTIES MADE BY WACOM ON THIS PRODUCT. NO ORAL OR WRITTEN INFORMATION OR ADVICE GIVEN BY WACOM, ITS DEALERS, DISTRIBUTORS, AGENTS, OR EMPLOYEES SHALL CREATE A WARRANTY OR IN ANY WAY INCREASE THE SCOPE OF THIS WARRANTY, AND YOU MAY NOT RELY ON ANY SUCH INFORMATION OR ADVICE. THIS WARRANTY GIVES YOU SPECIFIC LEGAL RIGHTS, AND YOU MAY ALSO HAVE OTHER RIGHTS WHICH VARY FROM COUNTRY TO COUNTRY. WACOM LIMITS THE DURATION OF ANY LEGALLY IMPLIED WARRANTIES INCLUDING IMPLIED WARRANTIES OF MERCHANTABILITY OR FITNESS FOR A PARTICULAR PURPOSE, TO THE DURATION OF WACOM'S EXPRESS WARRANTY. SOME COUNTRIES

DO NOT ALLOW LIMITATIONS ON HOW LONG AN IMPLIED WARRANTY LASTS, SO THE ABOVE LIMITATION MAY NOT APPLY TO YOU.

NEITHER WACOM NOR ANYONE ELSE WHO HAS BEEN INVOLVED IN THE CREATION, PRODUCTION, OR DELIVERY OF THIS PRODUCT SHALL BE LIABLE FOR ANY DIRECT, CONSEQUENTIAL, OR INCIDENTAL DAMAGES (INCLUDING DAMAGES FOR LOSS OF BUSINESS PROFITS, BUSINESS INTERRUPTION, LOSS OF BUSINESS INFORMATION AND THE LIKE) ARISING OUT OF THE USE OF OR INABILITY TO USE SUCH PRODUCT, EVEN IF WACOM HAS BEEN ADVISED OF THE POSSIBILITY OF SUCH DAMAGES. SOME COUNTRIES DO NOT ALLOW THE EXCLUSION OR LIMITATION OF DIRECT, INCIDENTAL OR CONSEQUENTIAL DAMAGES, SO THE ABOVE LIMITATION OR EXCLUSION MAY NOT APPLY TO YOU. IN THE EVENT THAT ANY OF THE ABOVE LIMITATIONS ARE HELD UNENFORCEABLE, WACOM'S LIABILITY FOR ANY DAMAGES TO YOU OR ANY PARTY SHALL NOT EXCEED THE PURCHASE PRICE YOU PAID, REGARDLESS OF THE FORM OF ANY CLAIM. THIS LIMITED WARRANTY IS GOVERNED BY THE LAWS OF THE UNITED STATES OF AMERICA AND THE STATE OF OREGON. THIS LIMITED WARRANTY IS VALID FOR AND ONLY APPLIES TO PRODUCTS PURCHASED AND USED INSIDE CENTRAL AMERICA, SOUTH AMERICA OR THE CARIBBEAN.

WARRANTY SERVICE

To obtain Warranty service within Central America, South America or the Caribbean contact your local dealer or distributor.

Wacom Customer Care Center

Spanish:

<http://www.wacom.com/sp/productsupport/email.cfm>

Portuguese:

<http://www.wacom.com/pr/productsupport/email.cfm>

Should you have any questions about this Agreement, or if you desire to contact Wacom for any reason, please contact in writing:

Wacom Technology Corporation

1455 NW Irving Street Suite 800

Portland OR 97209

USA

Precaution

For the full version of the Wacom One Important Product Information document go to www.wacom.com and click on Support.

⚠ WARNING: Failure to follow these safety instructions, warnings and precautions could result in fire, electric shock, injury, or damage to the product. Please read all instructions, warnings and precautions below prior to using the product. Failure to follow or comply with these safety instructions, warnings and precautions may be dangerous and may also void your warranty.

⚠ WARNING: Handling the cord on this product will expose you to lead, a chemical known to the State of California to cause cancer, and birth defects or other reproductive harm. Wash hands after handling. For more information go to: www.P65Warnings.ca.gov.

– To ensure the safe operation of the product, be sure to follow all instructions, cautions, and warnings found within this guide. Failure to do so may be dangerous and may also void your warranty.

Wacom has no responsibility for any damage or lost profit, including repair or replacement, when the product is handled outside of the specifications, conditions, instructions and environmental ranges stated in this document, quick start guide and catalogs.

For details, please see "support" on wacom.com.

– Improperly setting up, using, or caring for the product can increase the risk of an accident or injury to persons or property.

– Do not, and do not allow any third party other than a Wacom company or a Wacom authorised repairer to disassemble or modify the product.

– Prevent children from playing with or having access to any packaging materials or wrapping for the product or any small product accessories, as a choking or suffocation hazard may exist.

– Touching the same part of your body to the product (LCD panels and other areas) for extended periods of time may cause low temperature burns to your body. Avoid touching the product with the same part of your body for extended periods of time.

– Be sure to dispose of the product properly and to manage the disposal in accordance with your local ordinances and laws. You are solely responsible for disposing of the product in a safe and lawful manner.

– Only use a power adapter that Wacom specifies for use with the product. If a different type of power adapter is used, it may cause the product malfunction, damage, or catch fire. Use of a different power adapter will void your warranty.

– Do not use or store the product in the following environments:

- Environments subject to severe temperature fluctuations.
- Environments subject to temperature and humidity ranges that exceed specified usage conditions (such as outdoors or inside vehicles).
- Environments subject to dusty conditions.
- Near open flames.

– Move the product periodically to another place on your work surface to avoid permanently discoloring or altering the appearance of the surface.

– If the PC's USB-C power delivery to Wacom One is less than 15W, use both the Power Adapter and the USB-C cable.

Product Specifications

GENERAL SPECIFICATIONS	
Dimensions	299.0 x 190.0 x 11.0 mm (11.8 x 7.5 x 0.5 in)
Weight	0.69 kg (1.52 lbs)
Operating temperature & humidity	Temperature: 5 to 40 degrees C, Humidity: 30% to 80% RH (non-condensing)
Storage temperature & humidity	Temperature: -10 to 60 degrees C, Humidity: 30% to 90% RH (non-condensing) (Maximum storage humidity is 90% at a temperature of 45 degree C, and maximum storage temperature is 60 degrees C at a humidity of 30%.)

Input Voltage	DC 9 V, 2.77 A from AC adaptor
Power Consumption	Power ON mode (MAX): less than 14 W Power OFF mode: 0.3 W or lower Power sleep mode: 1.5 W or lower
USB Output power	USB Type-C connector: 5 V/0.5 A
DISPLAY	
Screen Size	11.6 inches
Aspect ratio	16 : 9
Display resolution	1920 x 1080
Input Video Connector	USB-C (DisplayPort™ Alt Mode)
Viewing Angles @ CR>10 (horizontal/vertical)	170 (85/85) / 170 (85/85) (typ)
Display colors	16.7 million

LCD quality
Each LCD panel is produced under very stringent quality standards. Production techniques cannot guarantee an absolutely perfect TFT display. A small number of pixels are allowed to show a wrong color for some parts of the color spectrum. This does not mean the display is defective.

PEN SPECIFICATION	
Reading Technology	Electro-magnetic resonance technology
Active area	256.0 x 144.0 mm (10.1 x 5.7 in)
Resolution	0.01 mm/point (2540 lpi)
Pen tilt supported	Yes
Pressure levels	4096 levels
POWER ADAPTER	
Input voltage	100 to 240 VAC, 50/60 Hz
Output voltage	9 VDC, 2.77 A
STYLUS PEN	
Dimension (L x D)	149.9 x 9.8 mm (5.9 x 0.4 in)
Weight	9.9 g (0.3 oz)